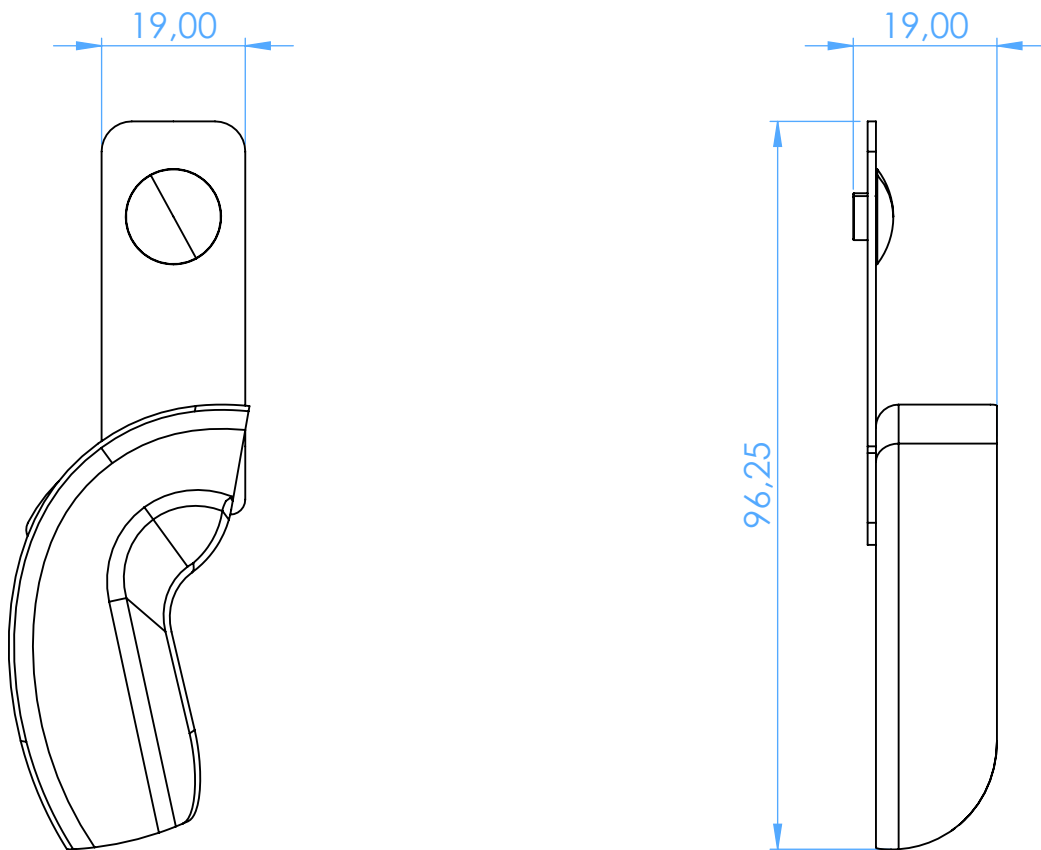


2801-L2S -
Portaimpronta forati in acciaio inox / Perforated stainless
steel impression trays



SCALE 1:1