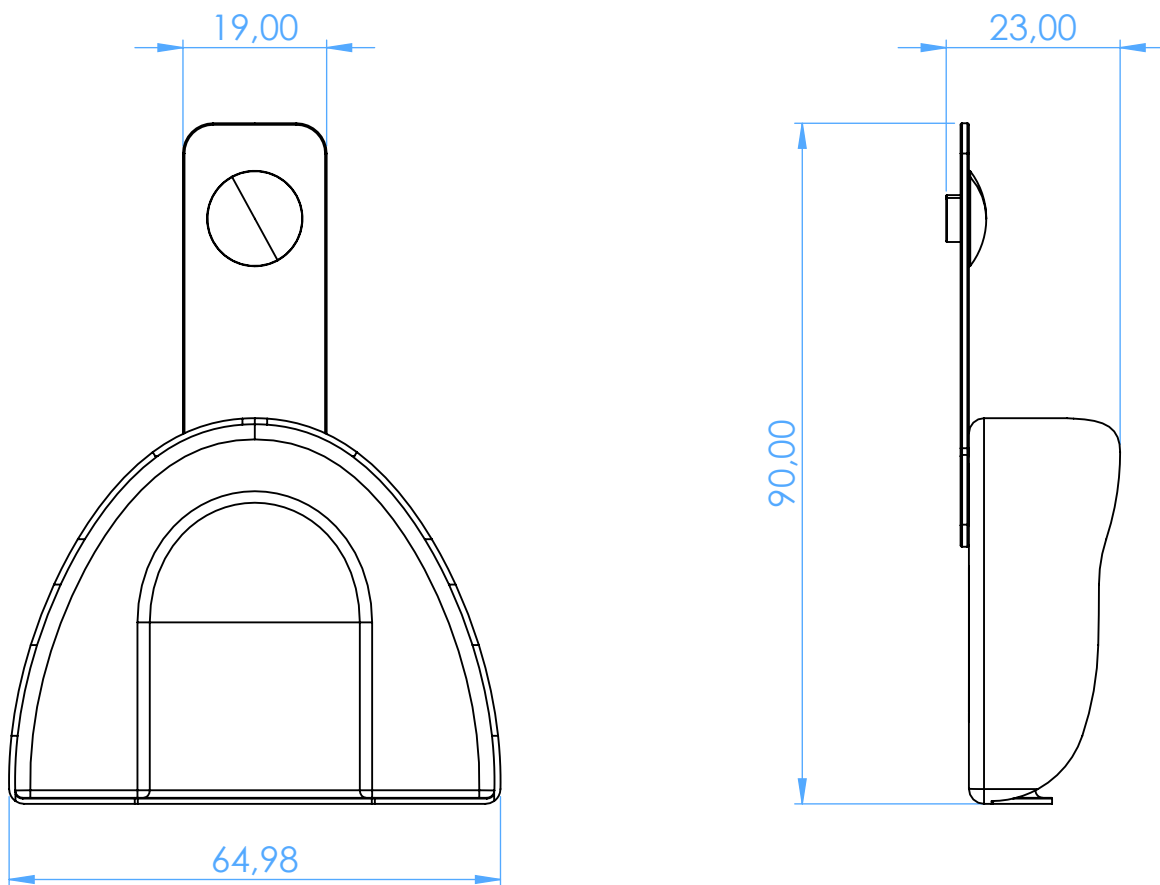


2801-U2 -  
Portaimpronta forati in acciaio inox / Perforated stainless  
steel impression trays



SCALE 1:1