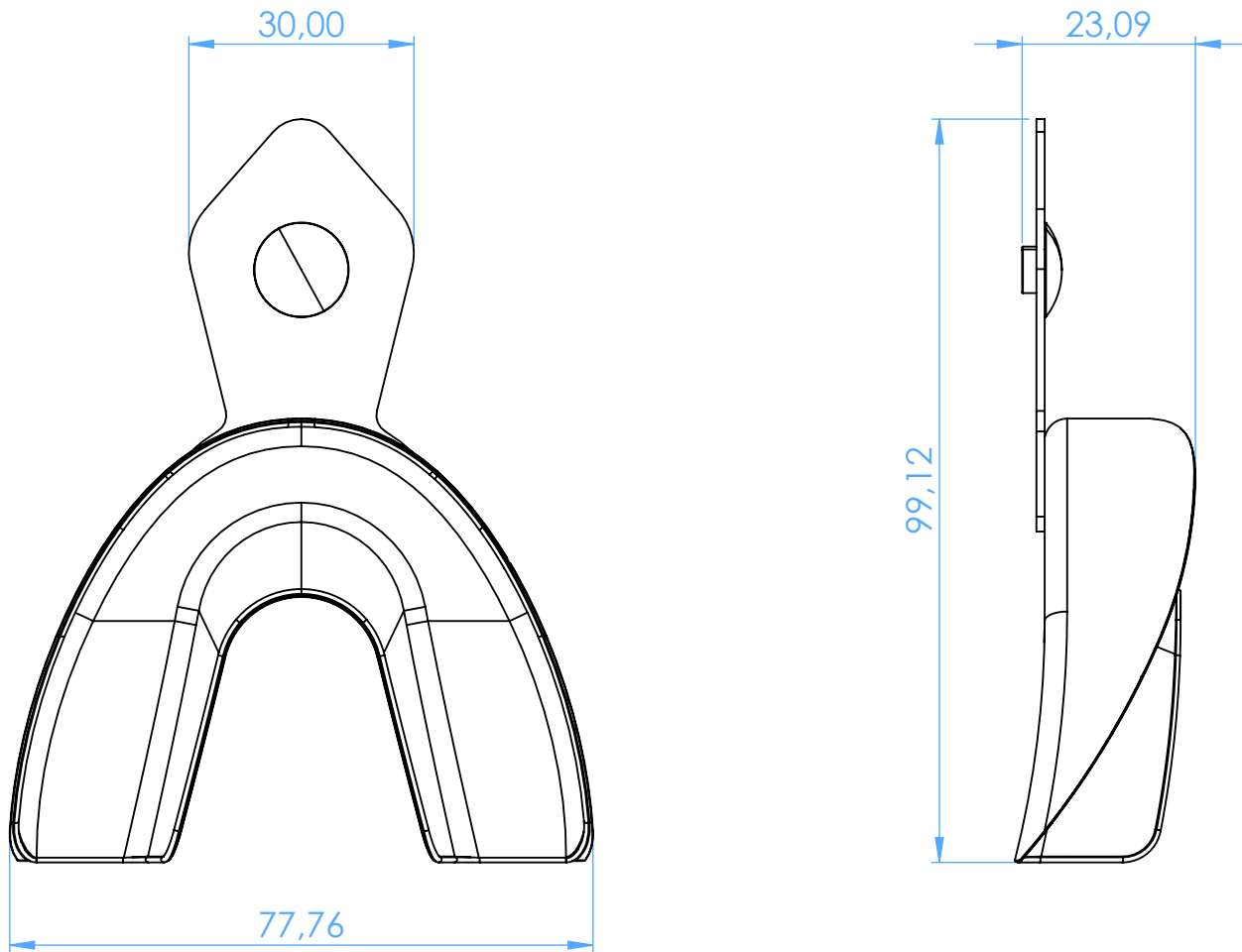


2803-L2 -
Portaimpronta non forati in acciaio inox NEW SUPER /
Non-perforated stainless steel impression trays NEW
SUPER



SCALE 1:1