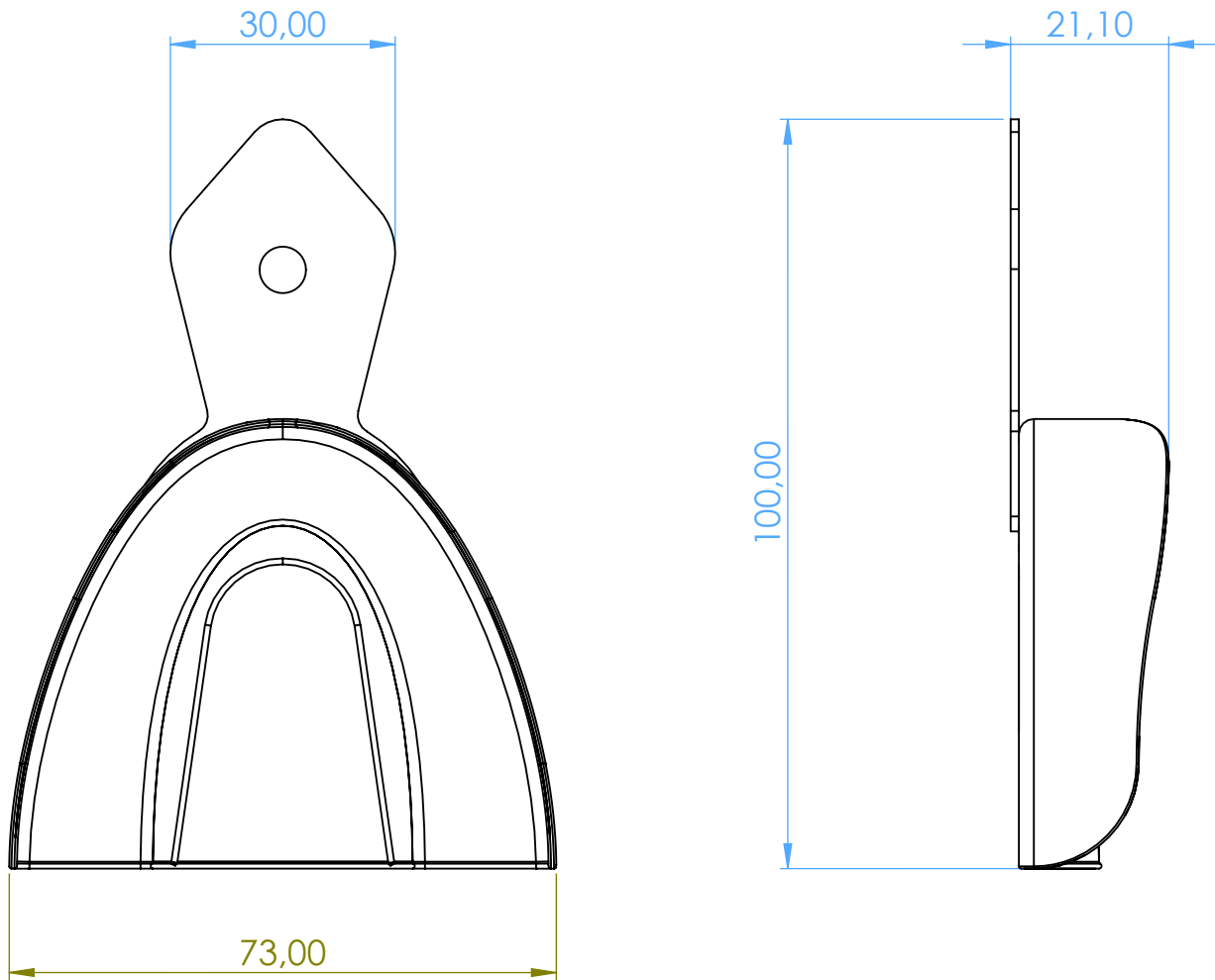


2803S-U2 -  
Portaimpronta non forati in acciaio inox NEW SUPER  
HIGH GRIP / Non-perforated stainless steel impression  
trays NEW SUPER HIGH GRIP



SCALE 1:1