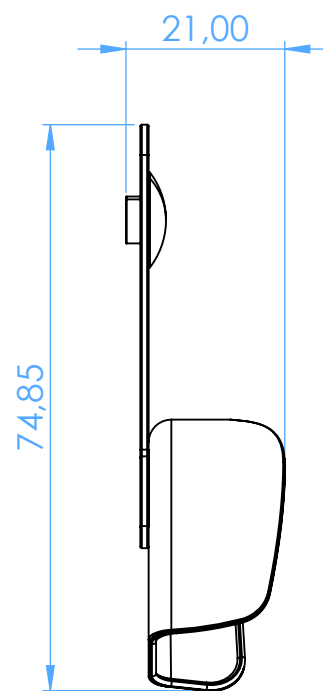
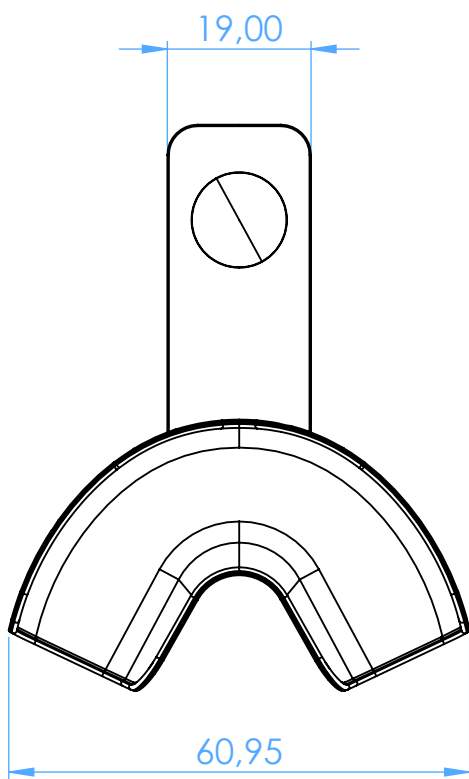


2807-L1P -  
Portaimpronta non forati in acciaio inox - PERMA-LOCK /  
Non-perforated stainless steel impression trays -  
PERMA-LOCK



SCALE 1:1