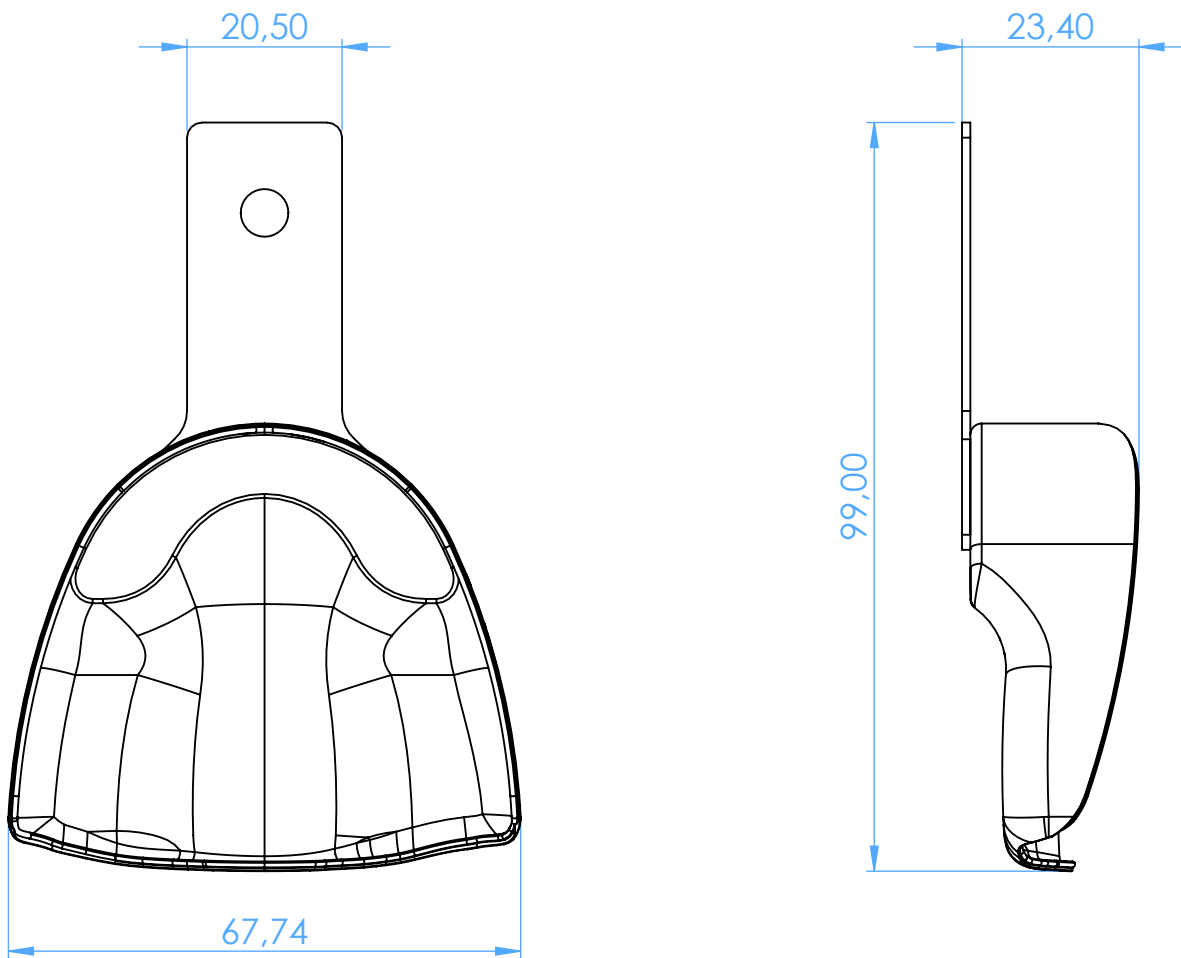


2810-U4 -  
Portaimpronta non forati in acciaio inox - depressi  
anteriormente / Non-perforated stainless steel  
impression trays - anterior depressed



SCALE 1:1